

V400 G Plus

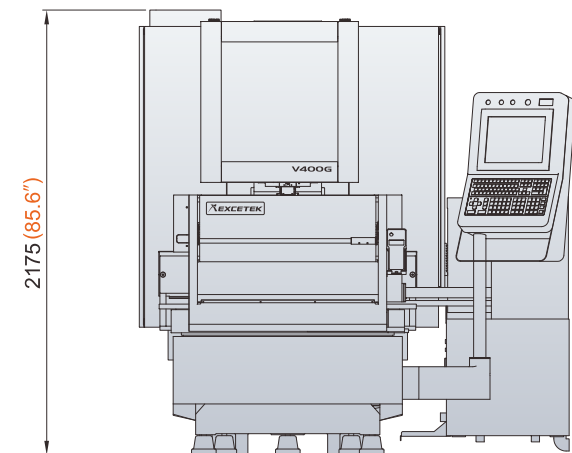
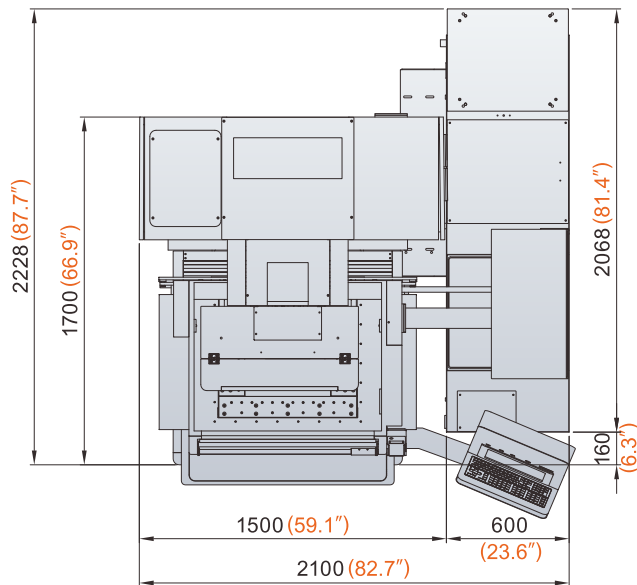


Machine Tool V400G Plus

Maximum workpiece (mm)	750 x 550 x 215 mm (29.6" x 21.7" x 8.5")
Max workpiece weight	500 kg (1102 lb)
Travel of X/Y axes	400 x 300 mm (15.8" x 11.8")
Travel of U/V axes	80 x 80 mm (3.1" x 3.1")
Travel of Z axis	220 mm (8.7") (Submerged height 210mm) (8.3")
Wire diameter	0.15~0.3 mm (0.006" ~ 0.012")
Number of axes controlled 5	5 Axis AC servo motor
Max taper angle	±22°/80 mm (±22°/3.1") (with wide diamond guide and nozzle)
Machine size	2100 x 2230 x 2175 mm (82.7" x 87.8" x 85.6")
Machine weight	2700 kg (5952 lb)

Dielectric Tank

Tank Capacity	650L
Paper Filter	2 pcs
Deionizer & Chiller Unit	AUTO



Standard Accessories

- Ion exchange resin 10L(S)
- Paper filter x 2 pieces
- Diamond guide x 2 pieces
- Upper & Lower Flushing nozzle x 4 pieces
- Power contact x 2 pieces
- Brass wire Ø0,2 or Ø0,25 5kg x 1 wheel
- Wire alignment jig x 1 piece
- Clamping tool x 1 set

Option

- X Y axis Linear scale
- AWT
- AVR
- City power Transformer
- Jumbo Feeder 50kg



7697 Innovation Way
 Mason, OH 45040
 513.701.0441
 globaledm.com