

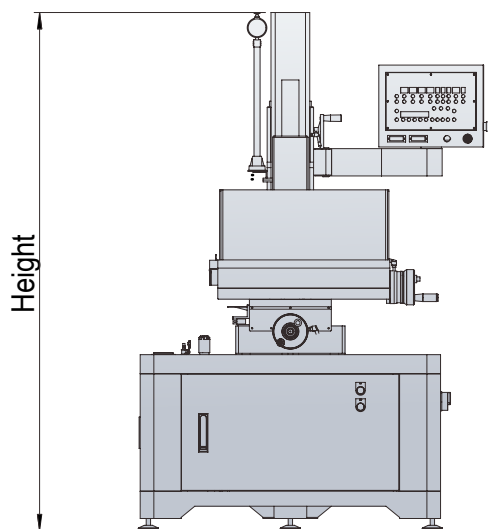
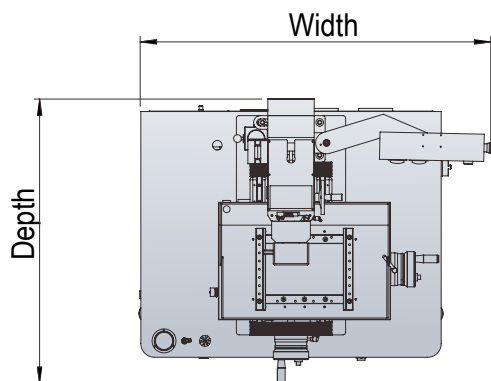
FH3ZA, FH35ZA, FH45ZA & FH55ZA



Machine Tool	FH3ZA	FH35ZA	FH45ZA	FH55ZA
Maximum workpiece height	7.1"	13"	13.8"	16.5"
Max workpiece weight	330 lbs	575 lbs	1,325 lbs	2,205 lbs
Travel of X/Y axes	11.8 x 7.9"	13.8 x 9.9"	17.7 x 13.8"	21.7 x 15.8"
Travel of W axis	7.9"	7.9"	7.9"	7.9"
Travel of Z axis	13.8"	13.8"	13.8"	13.8"
Electrode diameter	0.008" - 0.118"	0.008" - 0.118"	0.008" - 0.118"	0.008" - 0.118"
Axes controlled	Manual	Manual	Manual	Manual
Work table size	13.8 x 9.9"	23.6 x 11.8"	23.6 x 11.8"	31.5 x 15.8"
Machine size (D x W x H)	43 x 43 x 79"	43 x 47 x 83"	63 x 63 x 87"	79 x 71 x 87"
Machine weight	1,325 lbs	1,775 lbs	2,250 lbs	3,310 lbs

Dielectric Tank (option)

Tank Capacity	110L
Filter	5 micron
Deionizer & Chiller Unit	AUTO



Standard Accessories

- Ion exchange resin 10L(S)
- Clamp rails
- Guide, 1mm
- Auxiliary Pump
- Filter Pump
- 25 Amp Power Supply (3ZA)
- 32 Amp Power Supply (35ZA, 45ZA & 55ZA)

Options

- X, Y axis Linear scale
- Drill Chucks or ER16 Collet Tooling
- ±40° Tilting Head (35ZA, 45ZA & 55ZA)



7697 Innovation Way
 Mason, OH 45040
 513.701.0421
 globaledm.com