

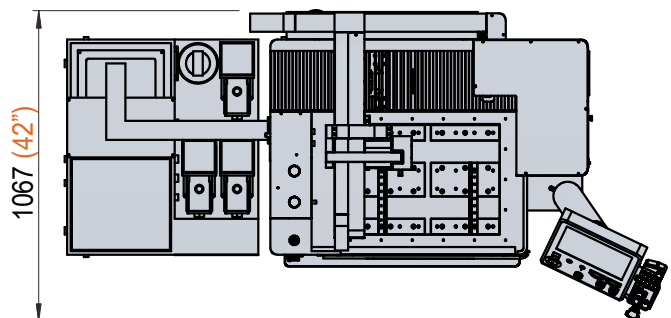
FH600SCNC

Machine Tool FH600SCNC

| | |
|--------------------------|--|
| Maximum workpiece height | 401mm (15.8") |
| Max workpiece weight | 801 kg (1,765 lb) |
| Travel of X/Y axes | 599 x 401mm (23.6" x 15.8") |
| Travel of W axis | 450 mm (17.7") |
| Travel of Z axis | 401 mm (15.8") |
| Electrode diameter | 0.10 - 3 mm (0.004" - 0.118") |
| Axes controlled | X, Y, Z & W |
| Work table size | 599 x 401mm (23.6 x 15.8") |
| Machine size | 1118 x 965 x 2032 mm (44" x 38" x 80") |
| Machine weight | 1,134 kg (2,500 lb) |

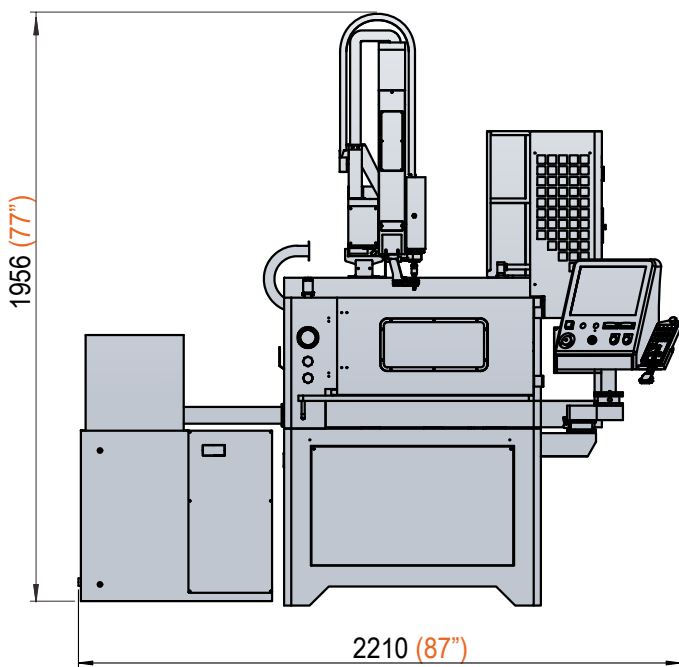
Dielectric Tank (Option)

| | |
|--------------------------|----------|
| Tank Capacity | 180L |
| Filter | 5 micron |
| Deionizer & Chiller Unit | AUTO |



Standard Accessories

- X Y axis Linear scale
- Submersible Tank
- Guide, 1mm
- Filtration System
- 32 Amp Power Supply
- Clamp Rails
- Electrode Tooling



Option

- 180L Dielectric System w/ Chiller
- Auto Tool Changer (12 or 18 postions)
- Auto Guide Changer (4 or 8 postions)
- Rotary Table, one or two axes
- Drill Chucks or ER16 Collet Tooling



7697 Innovation Way
 Mason, OH 45040
 513.701.0421
 globaledm.com