

# FH600FCNC

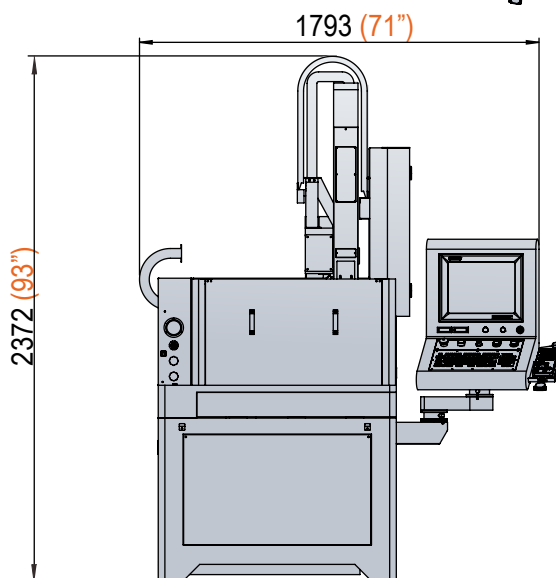
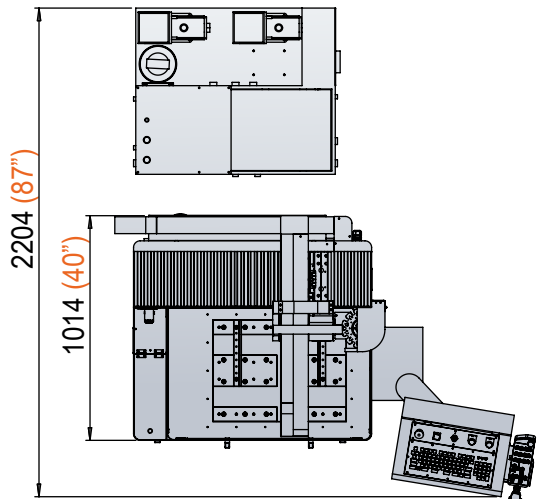


## Machine Tool FH600FCNC

Maximum workpiece height	401mm (15.8")
Max workpiece weight	801 Kg (1,765 lb.)
Travel of X/Y axes	599 x 401mm (23.6" x 15.8")
Travel of W axis	450 mm (17.7")
Travel of Z axis	401 mm (15.8")
Electrode diameter	0.10 - 3 mm (0.004" - 0.118")
Axes controlled	X, Y, Z & W
Work table size	599 x 401mm (23.6 x 15.8")
Machine size	1016 x 1651 x 1956 mm (40" x 65" x 77")
Machine weight	907 Kg (2,000 lb.)

## Dielectric Tank (option)

Tank Capacity	180L
Filter	5 micron
Deionizer & Chiller Unit	AUTO



## Standard Accessories

- Ion exchange resin 10L(S)
- Clamp rails
- Guide, 1mm
- Auxiliary Pump
- Filter Pump
- 32 Amp Power Supply

## Options

- X, Y axis Linear scale
- Auto Tool Changer (12 or 18 positions)
- Auto Guide Changer (4 or 8 positions)
- Drill Chucks or ER16 Collet Tooling
- 64 Amp Power Supply
- Rotary Table (one or two axis)



7697 Innovation Way  
 Mason, OH 45040  
 513.701.0421  
 globaledm.com