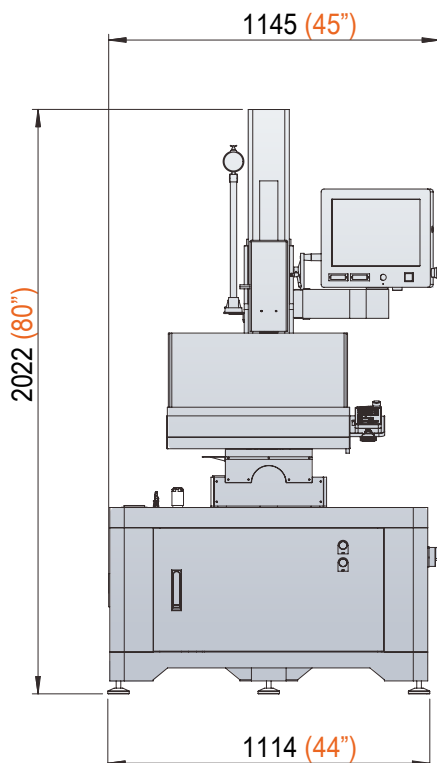
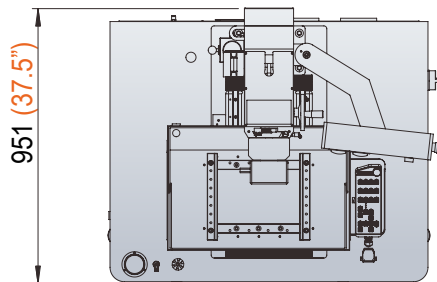


# FH300 & 350CNC



Machine Tool	FH300CNC	FH350CNC
Maximum workpiece height	180 mm (7.1")	330 mm (13")
Max workpiece weight	150 kg (330 lb)	250 kg (550 lb)
Travel of X/Y axes	300 x 200 mm (11.8" x 7.9")	350 x 250 mm (13.8" x 9.8")
Travel of W axis	200 mm (7.9")	550 mm (17.7")
Travel of Z axis	350 mm (13.8")	300 mm (11.8")
Electrode diameter	0.20 - 3 mm (0.008" - 0.118")	0.20 - 3 mm (0.008" - 0.118")
Axes controlled	X, Y, Z	X, Y, Z
Work table size	350 - 251 mm (13.8" - 9.9")	668 - 300 mm (26.3" - 11.8")
Machine size	1118 x 965 x 2032 mm (44" x 38" x 80")	1118 x 990 x 2032 mm (44" x 39" x 80")
Machine weight	600 kg (1325 lb)	800 kg (1764 lb)
Dielectric Tank (option)		
Tank Capacity	110L	
Filter	5 micron	
Deionizer & Chiller Unit	AUTO	



## Standard Accessories

- Ion exchange resin 10L(S)
- Clamp rails
- Guide, 1mm
- Auxiliary Pump
- Filter Pump
- 25 Amp Power Supply (300CNC)
- 32 Amp Power Supply (350CNC)

## Options

- X, Y axis Linear scale
- Drill Chucks or ER16 Collet Tooling
- 64 Amp Power Supply



7697 Innovation Way  
 Mason, OH 45040  
 513.701.0421  
 globaledm.com